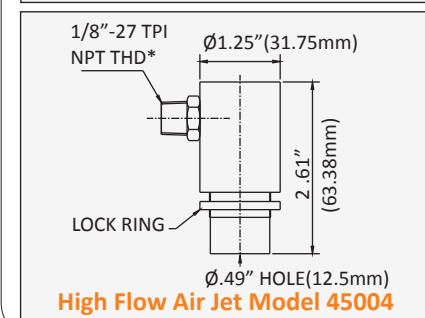
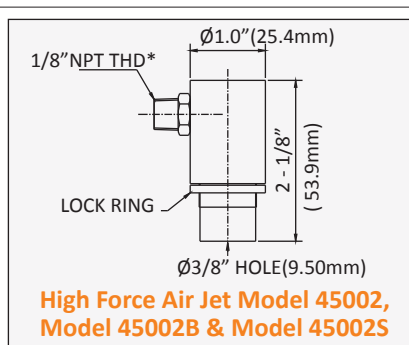
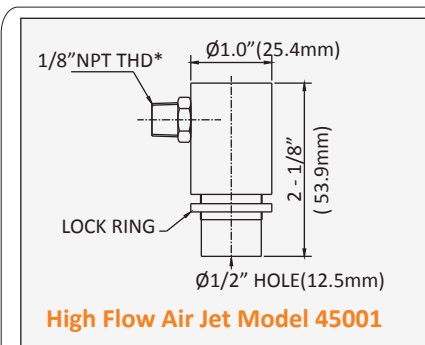


AIR JETS:

Air Jets are larger than Nozzles and used when a wider area needs to be hit with the amplified air. They are significantly more efficient than Nozzles although often use as much compressed air. Their best use is to replace pairs of Nozzles that are used for part ejection or for blowoff applications that require greater force than that provided by Air Knives or Air Movers. Nozzles are for point use while air jets can fan out somewhat for better continuous blowoff when a row of them are made. Nex Flow® Jets are all made adjustable with a lock ring to assure the security of any gap setting. They have a female 1/8" NPT and made lightweight with anodized aluminum.

5 models are available: From left to right is Model 45001 High Flow Air Jet and Model 45002 High Force Air Jet all in anodized aluminum, the Model 45002B High Force Air Jet in brass and the Model 45002S High Force Air Jet in 316L Stainless Steel and the Model 45004 High Force Fat Air Jet Amplifier in anodized aluminum.



Model 45001 / 45002 / 45002B / 45002S - High Flow Air Jet are physically the same size. The only difference is a larger exit opening for the amplified air flow. The high flow system is used more for cooling and light blowoff while the high force version is used mainly for heavier blowoff applications.

The Sound level for Model 45001 is 80 dBA and for the Model 45002/ 45002B / 45002S it is 82 dBA at 3ft (0.91m) at 80 psig (5.6 bar).

The 45002B Brass Air Jet and the 45002S 316L Stainless Steel Air jet are marked to indicate the size of the air gap and can be easily set and locked into place.

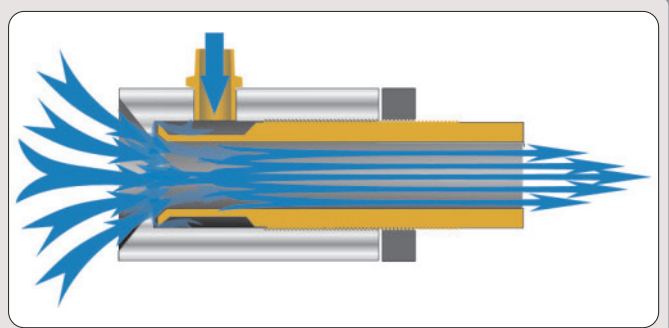
*BSP Thread or adaptors can be supplied depending on country location.

Air Jets perform similar to Adjustable Air Amplifiers - with the same lock ring and methodology.

Nex Flow® Air Jets are adjustable and come with a lock ring to fix the gap.

HOW IT WORKS

Model 45001, 45002, 45002B, 45002S and 45004 Air Jets use a small amount of compressed air entering the annular chamber and exit via small ring nozzle at high speed over a "coanda" profile. This creates a vacuum entraining outside air converting the pressure to a high flow output while maintaining a high blowoff force. Energy cost and noise levels are reduced as a result.





The **LARGE FAT Air Jet Air Amplifier** is the largest fat jet/smallest air amplifier with the same design as the high performance air jets to give you the most optimal performance with an adjustable gap and lock ring to set the gap in place.

WHAT THEY ARE – REASONS TO USE

Nex Flow® FAT Air Jet Air Amplifier is made of anodized aluminum and with a fine thread for a fine and accurate adjustment of the air gap to the setting desired for any particular application.

The **Nex Flow® FAT Air Jet Air Amplifier** is a transition size in between an air jet and the larger air amplifiers. It provides for superior air flow amplification and high force for blow off and cooling applications.

RIGID FLEX HOSE NOZZLE ACCESSORIES - TO HOLD AND AIM NOZZLES AND JETS

The unique Nex Flow® RIGID FLEX hose is an all stainless steel hose that does not break after a few bends like competitive rubber hoses with simple copper inserts. It is resistant to creep and crimping. Its all stainless construction allows it use in any difficult environment. They have 1/4" male NPT welded end connections and come in 6", 12" and 18" overall lengths.



PERFORMANCE CHARTS

| MODEL 45001 Sound Level 80 dBA at 80 PSIG (5.5 BAR) | | | | | | |
|--|---------------------|----------|----------|------------|------------|-------------|
| PRESSURE in PSIG (BAR) | | 40 (2.8) | 60 (4.1) | 80 (5.5) | 100 (6.9) | 120 (8.4) |
| MODEL 45001 (.008" Gap Setting) Force at 12" from Target | FORCE oz (grams) | 6 (170) | 12 (340) | 19.5 (583) | 27.5 (780) | 36 (1021) |
| | FLOW SCFM (SLPM) | 15 (425) | 21 (595) | 26 (736) | 32 (906) | 36.5 (1034) |

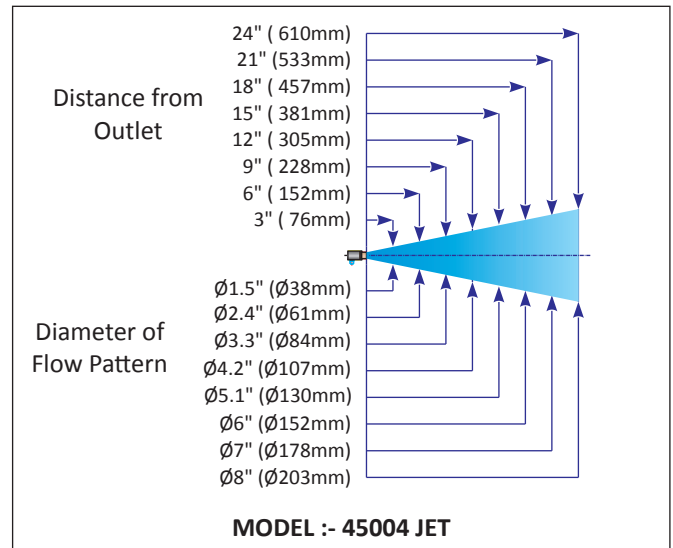
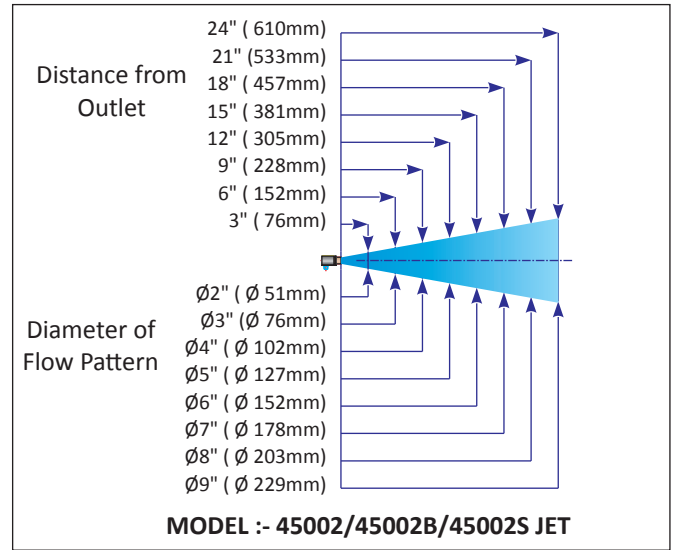
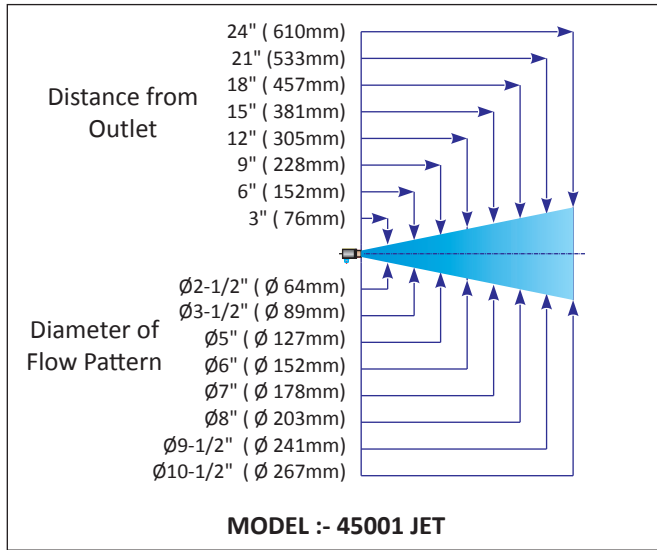
| MODEL 45002 / 45002B / 45002S Sound Level 82 dBA at 80 PSIG (5.5 BAR) | | | | | | |
|--|---------------------|----------|----------|------------|-----------|-----------|
| PRESSURE in PSIG (BAR) | | 40 (2.8) | 60 (4.1) | 80 (5.5) | 100 (6.9) | 120 (8.4) |
| MODEL 45002/45002B/45002S (.008" Gap Setting) Force at 12" from Target | FORCE oz (grams) | 11 (312) | 19 (539) | 27 (766) | 35 (992) | 43 (1219) |
| | FLOW SCFM (SLPM) | 16 (453) | 22 (623) | 26.5 (750) | 31 (878) | 35 (991) |

| MODEL 45004 Sound Level 80 dBA at 80 PSIG (5.5 BAR) | | | | | | |
|--|---------------------|-----------|------------|----------|-----------|-----------|
| PRESSURE in PSIG (BAR) | | 40 (2.8) | 60 (4.1) | 80 (5.5) | 100 (6.9) | 120 (8.4) |
| MODEL 45004 (.004" Gap Setting) Force at 12" from Target | FORCE oz (grams) | 7.5 (213) | 10.5 (298) | 13 (369) | 16 (454) | 20 (567) |
| | FLOW SCFM (SLPM) | 7.5 (213) | 10 (283) | 13 (369) | 16 (454) | 20 (567) |

RIGID FLEX HOSE NOZZLE ACCESSORIES - TO HOLD AND AIM NOZZLES AND JETS

The unique Nex Flow® RIGID FLEX hose is an all stainless steel hose that does not break after a few bends like competitive rubber hoses with simple copper inserts. It is resistant to creep and crimping. Its all stainless construction allows it use in any difficult environment. They have ¼" male NPT welded end connections and come in 6", 12" and 18" overall lengths.





AIR JETS

| PART NO. | DESCRIPTION |
|----------|---|
| 45001 | High Flow Air Jet (aluminum, unmarked) |
| 45002 | High Force Air Jet (aluminum, unmarked) |
| 45002B | High Force Air Jet (Brass, marked to indicate gap setting) |
| 45002S | High Force Air Jet (316L stainless, marked to indicate gap setting) |
| 45004 | Fat Air Jet Air Amplifier (aluminum, unmarked) |

STAINLESS STEEL RIGID FLEX HOSE

| PART NO. | DESCRIPTION |
|----------|---|
| 6RF | 6" Stainless Steel Rigid Hose which can be flexed to a shape |
| 12RF | 12" Stainless Steel Rigid Hose which can be flexed to a shape |
| 18RF | 18" Stainless Steel Rigid Hose which can be flexed to a shape |